



BALLAST SPECIFICATIONS

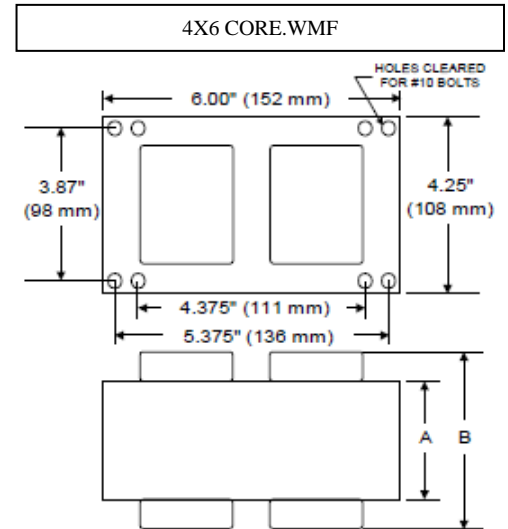
1000W M141

Pulse Start Metal Halide

S1000M-4/PS

60 Hz CWA

Input Volts	120	208	240	277
Line Current (Amps)				
Operating	9.00	5.20	4.50	3.90
Open Circuit	6.00	3.50	3.00	2.60
Starting	6.00	3.50	3.00	2.60
Recommended Fuse (Amps)	25	15	12	10
Regulation				
Line Volts	±10%	±10%	±10%	±10%
Lamp Watts	±10%	±10%	±10%	±10%
Temperature Ratings				
Insulation Class	180 (H)	180 (H)	180 (H)	180 (H)
Coil Temperature Code	D	A	B	B
Benchtop Coil Rise	88.2	73.5	78.4	78.2
Power Factor (Min)	90%	90%	90%	90%
Input Watts	1082 W	1082 W	1082 W	1082 W
Efficiency	92%	92%	92%	92%
NOM. Open Circuit Voltage	420	420	420	420
Input Voltage At Lamp Dropout	70	125	140	160
Min Ambient Starting Temp	-20°F/ -30°C	-20°F/ -30°C	-20°F/ -30°C	-20°F/ -30°C
60 Hz TEST PROCEDURES				
High Potential Test (Volts)				
1 Minute	1,850 V	1,850 V	1,850 V	1,850 V
1 Second	2,200 V	2,200 V	2,200 V	2,200 V
Open Circuit Voltage Test (V)	380 – 460	380 – 460	380 – 460	380 – 460
Short Circuit Current Test (A)				
Min	4.75	4.75	4.75	4.75
Secondary Current				
Max	5.85	5.85	5.85	5.85
Min	4.80	2.80	2.40	2.10
Input Current				
Max	7.20	4.20	3.60	3.15
CORE and COIL Specifications				
Dimension (A)	2.80 in	2.80 in	2.80 in	2.80 in
Dimension (B)	4.80 in	4.80 in	4.80 in	4.80 in
Weight	21.0 lbs	21.0 lbs	21.0 lbs	21.0 lbs
Lead Lengths	12"	12"	12"	12"
Capacitor Requirement				
Microfarads	24.0 uf	24.0 uf	24.0 uf	24.0 uf
Volts (Min)	480 V	480 V	480 V	480 V



Capacitor: CA24480

Ignitor: BVS-020

Microfarads: 24.0 uf
 Volts (Max): 480 V
 Case Temp (Max): 100 °C
 Height (Max): 4.03 in
 Dia (Max): 1.97 in
 Oval Width (Max): 2.97 in

Case Temp (Max): 105 °C
 BTL Distance (Max): 5 ft

