

## BALLAST SPECIFICATIONS

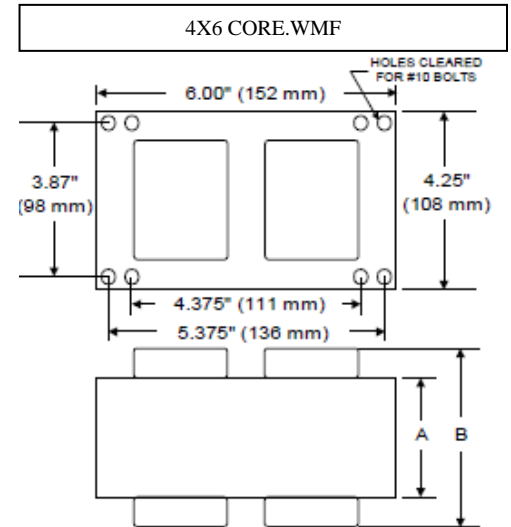
# 1000W M141

## Pulse Start Metal Halide

### S1000M-48/12/PS

### 60 Hz CWA

Input Volts	480		
Line Current ( Amps )			
Operating	2.25		
Open Circuit	1.60		
Starting	1.50		
Recommended Fuse (Amps)	6		
Regulation			
Line Volts	±10%		
Lamp Watts	±10%		
Temperature Ratings			
Insulation Class	180 (H)		
Coil Temperature Code	D		
Benchtop Coil Rise	85.0		
Power Factor (Min)	90%		
Input Watts	1082 W		
Efficiency	92%		
NOM. Open Circuit Voltage	420		
Input Voltage At Lamp Dropout	300		
Min Ambient Starting Temp	-20°F/ -30°C		
60 Hz TEST PROCEDURES			
High Potential Test (Volts)			
1 Minute	2,000 V		
1 Second	2,400 V		
Open Circuit Voltage Test (V)	375 – 460		
Short Circuit Current Test (A)			
Min	4.75		
Secondary Current			
Max	5.85		
Min	1.10		
Input Current			
Max	1.80		
CORE and COIL Specifications			
Dimension (A)	2.82 in		
Dimension (B)	4.85 in		
Weight	21.0 lbs		
Lead Lengths	12"		
Capacitor Requirement			
Microfarads	24.0 uf		
Volts (Min)	480 V		



Capacitor: CA24480

Ignitor: BVS-020

Microfarads: 24.0 uf  
 Volts (Max): 480 V  
 Case Temp (Max): 100 °C  
 Height (Max): 4.03 in  
 Dia (Max): 1.97 in  
 Oval Width (Max): 2.97 in

Case Temp (Max): 105 °C  
 BTL Distance (Max): 5 ft

