

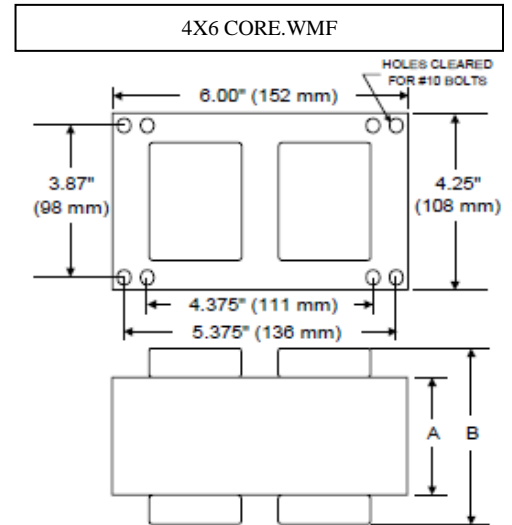


## BALLAST SPECIFICATIONS

# 1000W M47

**Metal Halide**  
**S1000M-48/12**  
**60 Hz CWA**

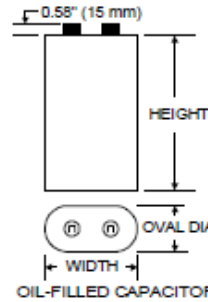
Input Volts	480			
Line Current ( Amps )	2.30			
Operating	1.55			
Open Circuit	1.55			
Starting				
Recommended Fuse (Amps)	6			
Regulation				
Line Volts	±10%			
Lamp Watts	±10%			
Temperature Ratings	180 (H)			
Insulation Class	D			
Coil Temperature Code	88.7			
Benchtop Coil Rise				
Power Factor (Min)	90%			
Input Watts	1085W			
Efficiency				
NOM. Open Circuit Voltage	420			
Input Voltage At Lamp Dropout	260			
Min Ambient Starting Temp	-20°F/ -30°C			
60 Hz TEST PROCEDURES				
High Potential Test (Volts)				
1 Minute	2,000 V			
1 Second	2,400 V			
Open Circuit Voltage Test (V)	375 – 460			
Short Circuit Current Test (A)				
Min	4.30			
Secondary Current				
Max	6.40			
Min	1.25			
Input Current				
Max	1.85			
CORE and COIL Specifications				
Dimension (A)	2.80 in			
Dimension (B)	4.90 in			
Weight	18.5 lbs			
Lead Lengths	12"			
Capacitor Requirement				
Microfarads	24.0 uf			
Volts (Min)	480 V			



Capacitor: CA24480

Ignitor: None

Microfarads: 24.0 uf  
 Volts (Max): 480 V  
 Case Temp (Max): 100 °C  
 Height (Max): 4.03 in  
 Dia (Max): 1.97 in  
 Oval Width (Max): 2.97 in



**This Ballast  
 Does Not  
 Require  
 An Ignitor**

