



BALLAST SPECIFICATIONS

1000W S52

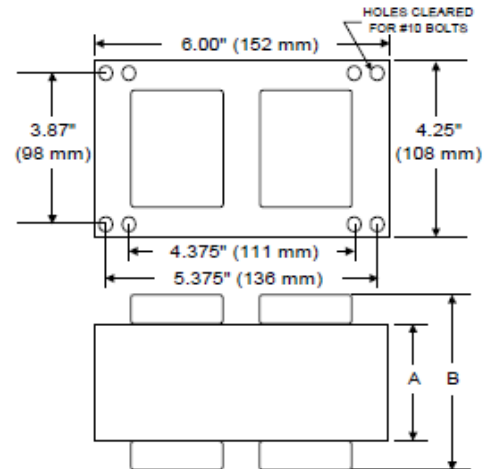
High Pressure Sodium

S1000S-4

60 Hz CWA

| Input Volts | 120 | 208 | 240 | 277 |
|--------------------------------|------------------|------------------|------------------|------------------|
| Line Current (Amps) | | | | |
| Operating | 9.50 | 5.50 | 4.75 | 4.20 |
| Open Circuit | 4.80 | 2.75 | 2.40 | 2.05 |
| Starting | 7.20 | 4.15 | 3.60 | 3.10 |
| Regulation | | | | |
| Line Volts | ±10% | ±10% | ±10% | ±10% |
| Lamp Watts | ±13% | ±13% | ±13% | ±13% |
| UL Temperature Ratings | | | | |
| Insulation Class | H | H | H | H |
| Coil Temperature Code | C | B | C | C |
| Benchtop Coil Rise | 83.8 | 77.8 | 81.8 | 80.5 |
| Input Watts | 1100 W | 1100 W | 1100 W | 1100 W |
| NOM. Open Circuit Voltage | 425 | 425 | 425 | 425 |
| Power Factor | 90% | 90% | 90% | 90% |
| Current Crest Factor | 1.65 | 1.65 | 1.65 | 1.65 |
| Input Voltage At Lamp Dropout | 95 | 170 | 190 | 220 |
| MIN. Ambient Starting Temp. | -40°F / -40°C | -40°F / -40°C | -40°F / -40°C | -40°F / -40°C |
| 60 Hz TEST PROCEDURES | | | | |
| High Potential Test (Volts) | | | | |
| 1 Minute | 2,000 V | 2,000 V | 2,000 V | 2,000 V |
| 1 Second | 2,400 V | 2,400 V | 2,400 V | 2,400 V |
| Open Circuit Voltage Test (V) | 380 – 470 | 380 – 470 | 380 – 470 | 380 – 470 |
| Short Circuit Current Test (A) | | | | |
| Min | 6.20 | 6.20 | 6.20 | 6.20 |
| Secondary Current | | | | |
| Max | 7.60 | 7.60 | 7.60 | 7.60 |
| Min | 5.20 | 3.15 | 2.60 | 2.35 |
| Input Current | | | | |
| Max | 8.20 | 4.80 | 4.10 | 3.55 |
| Recommended Fuse (Amps) | 25 | 15 | 12 | 10 |
| CORE and COIL Specifications | | | | |
| Dimension (A) | 3.75 in | 3.75 in | 3.75 in | 3.75 in |
| Dimension (B) | 5.90 in | 5.90 in | 5.90 in | 5.90 in |
| Weight | 27.0 lbs | 27.0 lbs | 27.0 lbs | 27.0 lbs |
| Lead Lengths | 12" | 12" | 12" | 12" |
| Capacitor Requirement | | | | |
| Microfarads | 26.0 uf | 26.0 uf | 26.0 uf | 26.0 uf |
| Volts (Min) | 525 V | 525 V | 525 V | 525 V |

4X4 CORE – HX, CWA & CWI UNITS



Capacitor: CA26525

Ignitor: S250V

Value: 26.0 uf
Temp Rating: 100 °C
Height: 4.37 in
Dia/Oval Dim 1.97 in

Temp: 105 °C
BTL: 5 ft

