



BALLAST SPECIFICATIONS

1000W S52

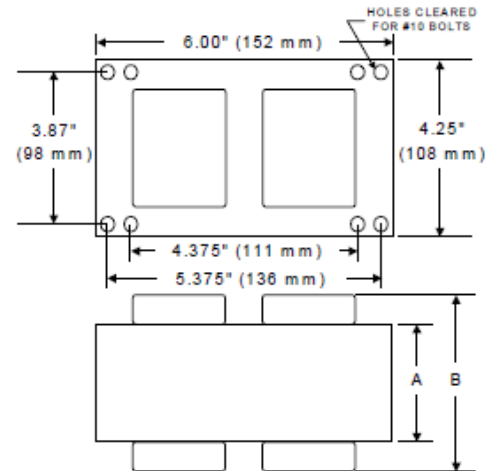
High Pressure Sodium

S1000S-48/12

60 Hz CWA

Input Volts	480		
Line Current (Amps)			
Operating	2.30		
Open Circuit	0.80		
Starting	2.30		
Regulation			
Line Volts	±10%		
Lamp Watts	±14%		
UL Temperature Ratings			
Insulation Class	H		
Coil Temperature Code	C		
Benchtop Coil Rise	82.9		
Input Watts	1100 W		
NOM. Open Circuit Voltage	430		
Power Factor	90%		
Current Crest Factor	1.65		
Input Voltage At Lamp Dropout	385		
MIN. Ambient Starting Temp.	-40°F / -40°C		
60 Hz TEST PROCEDURES			
High Potential Test (Volts)			
1 Minute	2,000 V		
1 Second	2,400 V		
Open Circuit Voltage Test (V)	385 – 475		
Short Circuit Current Test (A)			
Min	6.35		
Secondary Current			
Max	7.80		
Min	1.80		
Input Current			
Max	2.80		
Recommended Fuse (Amps)	6		
CORE and COIL Specifications			
Dimension (A)	3.90 in		
Dimension (B)	5.90 in		
Weight	28.8 lbs		
Lead Lengths	12"		
Capacitor Requirement			
Microfarads	26.0 uf		
Volts (Min)	525 V		

4X6 CORE – HX, CWA & CWI UNITS



Capacitor: CA26525

Ignitor: S250V

Temp Rating: 90 °C
 Height: 4.37 in
 Dia/Oval Dim 1.97 in
 Width 2.97

Temp: 105 °C
 BTL: 2 ft

