

BALLAST SPECIFICATIONS

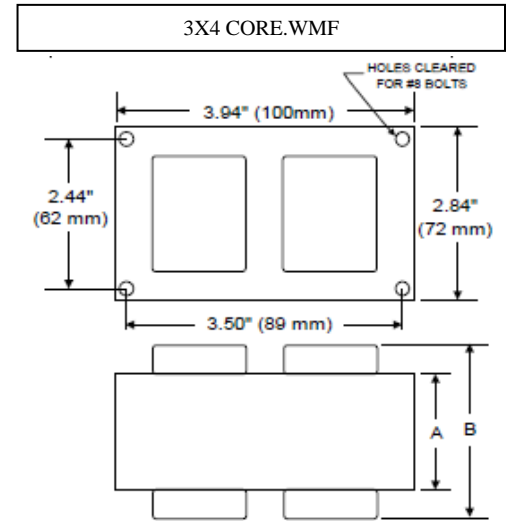
150W M102

Pulse Start Metal Halide

S150M-4

60 Hz HX-HPF

Input Volts	120	208	240	277
Line Current (Amps)				
Operating	1.60	1.00	0.80	0.70
Open Circuit	3.50	2.15	1.75	1.55
Starting	1.30	0.95	0.65	0.55
Recommended Fuse (Amps)	9	6	5	4
Regulation				
Line Volts	±5%	±5%	±5%	±5%
Lamp Watts	±10%	±10%	±10%	±10%
Temperature Ratings				
Insulation Class	180 (H)	180 (H)	180 (H)	180 (H)
Coil Temperature Code	B	D	C	C
Benchtop Coil Rise	78.0	87.6	80.9	80.5
Power Factor (Min)	90%	90%	90%	90%
Input Watts	185 W	185 W	185 W	185 W
Efficiency	81%	81%	81%	81%
NOM. Open Circuit Voltage	265	265	265	265
Input Voltage At Lamp Dropout	75	120	150	170
Min Ambient Starting Temp	-20°F/ -30°C	-20°F/ -30°C	-20°F/ -30°C	-20°F/ -30°C
60 Hz TEST PROCEDURES				
High Potential Test (Volts)				
1 Minute	1,600 V	1,600 V	1,600 V	1,600 V
1 Second	1,900 V	1,900 V	1,900 V	1,900 V
Open Circuit Voltage Test (V)	235 – 295	235 – 295	235 – 295	235 – 295
Short Circuit Current Test (A)				
Min	1.95	1.95	1.95	1.95
Secondary Current				
Max	2.45	2.45	2.45	2.45
Min	0.90	0.55	0.45	0.40
Input Current				
Max	1.70	1.10	0.85	0.75
CORE and COIL Specifications				
Dimension (A)	2.25 in	2.25 in	2.25 in	2.25 in
Dimension (B)	3.90 in	3.90 in	3.90 in	3.90 in
Weight	7.1 lbs	7.1 lbs	7.1 lbs	7.1 lbs
Lead Lengths	12"	12"	12"	12"
Capacitor Requirement				
Microfarads	16.0 uf	16.0 uf	16.0 uf	16.0 uf
Volts (Min)	280 V	280 V	280 V	280 V



Capacitor: CA16330DL

Ignitor: SMH-2

Microfarads: 16.0 uf
 Volts (Max): 330 V
 Case Temp (Max) 100 °C
 Height (Max): 2.76 in
 Dia (Max): 1.82 in

Case Temp (Max): 105 °C
 BTL Distance (Max) 5 ft

