

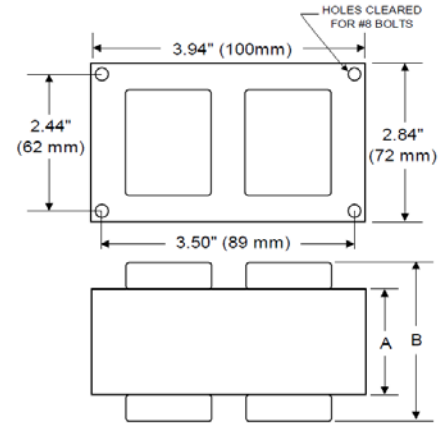


**BALLAST SPECIFICATIONS**

**175W M57**  
**Metal Halide**  
**S175M-4**  
**60 Hz CWA**

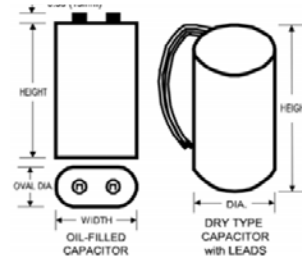
Input Volts	120	208	240	277
Line Current ( Amps )				
Operating	1.80	1.10	0.90	0.80
Open Circuit	1.20	0.65	0.60	0.50
Starting	1.60	0.90	0.80	0.70
Recommended Fuse (Amps)	5	3	3	2
Regulation				
Line Volts	± 10%	± 10%	± 10%	± 10%
Lamp Watts	± 7%	± 7%	± 7%	± 7%
Temperature Ratings				
Insulation Class	180 (H)	180 (H)	180 (H)	180 (H)
Coil Temperature Code	C	D	D	C
Benchtop Coil Rise	80.0	89.7	85.8	84.7
Power Factor (Min)	90%	90%	90%	90%
Input Watts	210 W	210 W	210 W	210 W
Efficiency				
NOM. Open Circuit Voltage	320	320	320	320
Input Voltage At Lamp Dropout	65	115	130	150
Min Ambient Starting Temp	-20°F/ -30°C	-20°F/ -30°C	-20°F/ -30°C	-20°F/ -30°C
60 Hz TEST PROCEDURES				
High Potential Test (Volts)				
1 Minute	1,650 V	1,650 V	1,650 V	1,650 V
1 Second	2,000 V	2,000 V	2,000 V	2,000 V
Open Circuit Voltage Test (V)	290 – 355	290 – 355	290 – 355	290 – 355
Short Circuit Current Test (A)				
Min	1.55	1.55	1.55	1.55
Secondary Current				
Max	1.95	1.95	1.95	1.95
Min	1.20	0.65	0.60	0.50
Input Current				
Max	1.80	1.05	0.90	0.80
CORE and COIL Specifications				
Dimension (A)	2.22 in	2.22 in	2.22 in	2.22 in
Dimension (B)	3.60 in	3.60 in	3.60 in	3.60 in
Weight	6.8 lbs	6.8 lbs	6.8 lbs	6.8 lbs
Lead Lengths	12 ''	12 ''	12 ''	12 ''
Capacitor Requirement				
Microfarads	10.0 uf	10.0 uf	10.0 uf	10.0 uf
Volts (Min)	400 V	400 V	400 V	400 V

3X4 Core.WMF



Capacitor: CA10400 / CA10400DL      Ignitor: None

Microfarads: 10.0 uf    10.0 uf  
 Volts (Max): 400 V    400 V  
 Case Temp (Max): 100° C    100° C  
 Height (Max): 2.75 in    3.68 in  
 Dia (Max): 1.62 in    1.61 in  
 Oval Width (Max): 2.75 in



This Ballast Does Not Require An Ignitor

