

BALLAST SPECIFICATIONS

200W M136

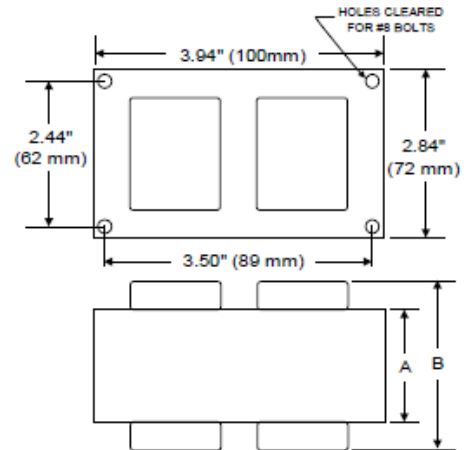
Pulse Start Metal Halide

S200M-48/12/PS

60 Hz HX-HPF

Input Volts	480			
Line Current (Amps)				
Operating	0.50			
Open Circuit	0.80			
Starting	0.50			
Recommended Fuse (Amps)	2			
Regulation				
Line Volts	±5%			
Lamp Watts	±10%			
Temperature Ratings				
Insulation Class	180 (H)			
Coil Temperature Code	D			
Benchtop Coil Rise	86.5			
Power Factor (Min)	90%			
Input Watts	237 W			
Efficiency	84%			
NOM. Open Circuit Voltage	285			
Input Voltage At Lamp Dropout	320			
Min Ambient Starting Temp	-20°F/ -30°C			
60 Hz TEST PROCEDURES				
High Potential Test (Volts)				
1 Minute	2,000V			
1 Second	2,500 V			
Open Circuit Voltage Test (V)	255 – 315			
Short Circuit Current Test (A)				
Min	1.85			
Secondary Current				
Max	2.25			
Min	0.45			
Input Current				
Max	0.50			
CORE and COIL Specifications				
Dimension (A)	2.45 in			
Dimension (B)	3.90 in			
Weight	8.0 lbs			
Lead Lengths	12"			
Capacitor Requirement				
Microfarads	16.0 uf			
Volts (Min)	280 V			

3X4 CORE – HX, CWA & CWI UNITS



Capacitor: CA16330DL

Ignitor: SMH-2

Microfarads: 16.0 uf
Volts (Max): 330 V
Case Temp (Max): 100 °C
Height (Max): 2.76 in
Dia (Max): 1.62 in

Case Temp (Max): 105 °C
BTL Distance (Max): 2 ft

