

BALLAST SPECIFICATIONS

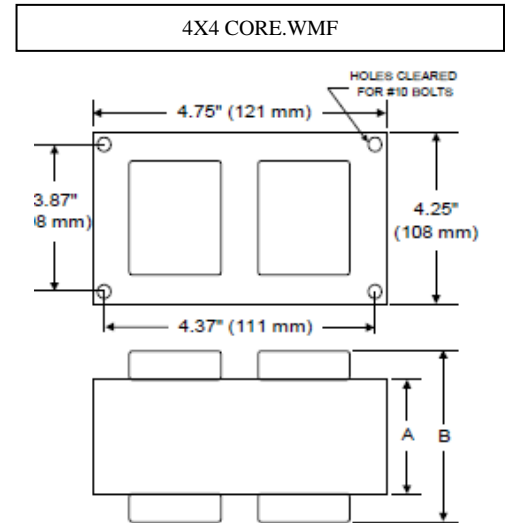
250W M138 / M153

Pulse Start Metal Halide

S250M-4/PS

60 Hz CWA

Input Volts	120	208	240	277
Line Current (Amps)				
Operating	2.50	1.45	1.25	1.10
Open Circuit	1.80	1.10	0.90	0.80
Starting	1.40	0.80	0.70	0.60
Recommended Fuse (Amps)	7	4	4	3
Regulation				
Line Volts	±10%	±10%	±10%	±10%
Lamp Watts	±10%	±10%	±10%	±10%
Temperature Ratings				
Insulation Class	180 (H)	180 (H)	180 (H)	180 (H)
Coil Temperature Code	B	B	A	A
Benchtop Coil Rise	75.4	76.9	74.1	74.2
Power Factor (Min)	90%	90%	90%	90%
Input Watts	288 W	288 W	288 W	288 W
Efficiency	87%	87%	87%	87%
NOM. Open Circuit Voltage	270	270	270	270
Input Voltage At Lamp Dropout	60	104	120	138
Min Ambient Starting Temp	-20°F/ -30°C	-20°F/ -30°C	-20°F/ -30°C	-20°F/ -30°C
60 Hz TEST PROCEDURES				
High Potential Test (Volts)				
1 Minute	1,600 V	1,600 V	1,600 V	1,600 V
1 Second	1,900 V	1,900 V	1,900 V	1,900 V
Open Circuit Voltage Test (V)	240 – 290	240 – 290	240 – 290	240 – 290
Short Circuit Current Test (A)				
Min	2.25	2.25	2.25	2.25
Secondary Current				
Max	2.75	2.75	2.75	2.75
Min	1.10	0.65	0.55	0.45
Input Current				
Max	1.70	0.95	0.85	0.75
CORE and COIL Specifications				
Dimension (A)	1.55 in	1.55 in	1.55 in	1.55 in
Dimension (B)	3.50 in	3.50 in	3.50 in	3.50 in
Weight	10.0 lbs	10.0 lbs	10.0 lbs	10.0 lbs
Lead Lengths	12"	12"	12"	12"
Capacitor Requirement				
Microfarads	15.0 uf	15.0 uf	15.0 uf	15.0 uf
Volts (Min)	400 V	400 V	400 V	400 V



Capacitor: CA15400 / CA15400DL Ignitor: SMH-2

Microfarads:	15.0 uf	15.0 uf	Case Temp (Max):	105 °C
Volts (Max):	400 V	400 V	BTL Distance (Max)	2 ft
Case Temp (Max)	100 °C	100 °C		
Height (Max):	2.75 in	3.68 in		
Dia (Max):	1.97 in	1.80 in		
Oval Width (Max):	2.97 in			

