



BALLAST SPECIFICATIONS

250W S50

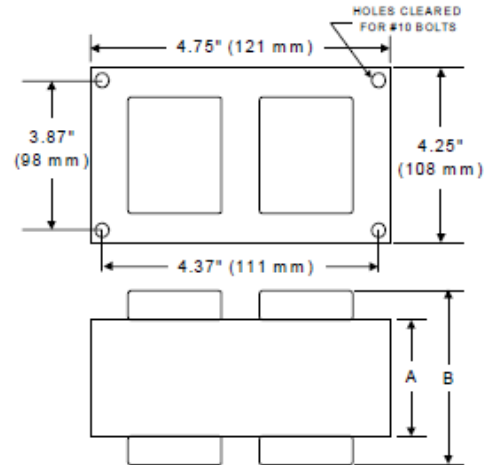
High Pressure Sodium

S250S-48/12

60 Hz CWA

Input Volts	480			
Line Current (Amps)				
Operating	0.65			
Open Circuit	0.40			
Starting	0.47			
Regulation				
Line Volts	±10%			
Lamp Watts	±12%			
UL Temperature Ratings				
Insulation Class	H			
Coil Temperature Code	B			
Benchtop Coil Rise				
Input Watts	305 W			
NOM. Open Circuit Voltage	200			
Power Factor	90%			
Current Crest Factor	1.65			
Input Voltage At Lamp Dropout	320			
MIN. Ambient Starting Temp.	-40°F / -40°C			
60 Hz TEST PROCEDURES				
High Potential Test (Volts)				
1 Minute	2,000 V			
1 Second	2,400 V			
Open Circuit Voltage Test (V)	180 – 220			
Short Circuit Current Test (A)				
Min	3.80			
Secondary Current				
Max	4.70			
Min	0.30			
Input Current				
Max	0.60			
Recommended Fuse (Amps)	2			
CORE and COIL Specifications				
Dimension (A)	1.80 in			
Dimension (B)	3.60 in			
Weight	11.0 lbs			
Lead Lengths	12"			
Capacitor Requirement				
Microfarads	35.0 uf			
Volts (Min)	240 V			

4X4 CORE – HX, CWA & CWI UNITS

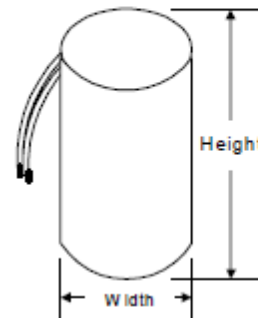


Capacitor: CA35280DL

Ignitor: S100V

Temp Rating: 100 °C
Height: 3.92 in
Dia/Oval Dim 1.60 in

Temp: 105 °C
BTL: 2 ft



Plastic Dry Film Capacitor

