



BALLAST SPECIFICATIONS

320W M132 / M154

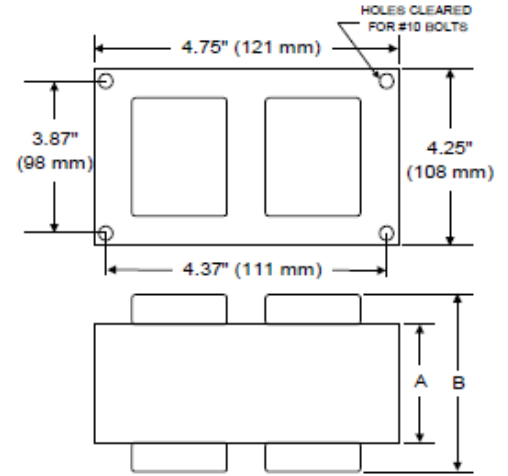
Pulse Start Metal Halide

S320M-4

60 Hz CWA

Input Volts	120	208	240	277
Line Current (Amps)				
Operating	3.20	1.80	1.60	1.40
Open Circuit	1.20	0.70	0.60	0.50
Starting	2.60	1.50	1.30	1.15
Recommended Fuse (Amps)	8	5	4	4
Regulation				
Line Volts	±10%	±10%	±10%	±10%
Lamp Watts	±10%	±10%	±10%	±10%
Temperature Ratings				
Insulation Class	180 (H)	180 (H)	180 (H)	180 (H)
Coil Temperature Code	B	B	B	B
Benchtop Coil Rise	75.7	76.2	78.0	78.3
Power Factor (Min)	90%	90%	90%	90%
Input Watts	368 W	368 W	368 W	368 W
Efficiency	87%	87%	87%	87%
NOM. Open Circuit Voltage	265	265	265	265
Input Voltage At Lamp Dropout	80	140	160	200
Min Ambient Starting Temp	-20°F/ -30°C	-20°F/ -30°C	-20°F/ -30°C	-20°F/ -30°C
60 Hz TEST PROCEDURES				
High Potential Test (Volts)	1,600 V	1,600 V	1,600 V	1,600 V
1 Minute	1,900 V	1,900 V	1,900 V	1,900 V
1 Second	235 – 295	235 – 295	235 – 295	235 – 295
Open Circuit Voltage Test (V)				
Short Circuit Current Test (A)	3.10	3.10	3.10	3.10
Min				
Secondary Current	3.80	3.80	3.80	3.80
Max	2.15	1.20	1.05	0.90
Min				
Input Current	3.25	1.85	1.65	1.40
Max				
CORE and COIL Specifications				
Dimension (A)	1.85 in	1.85 in	1.85 in	1.85 in
Dimension (B)	3.65 in	3.65 in	3.65 in	3.65 in
Weight	10.0 lbs	10.0 lbs	10.0 lbs	10.0 lbs
Lead Lengths	12"	12"	12"	12"
Capacitor Requirement				
Microfarads	22.0 uf	22.0 uf	22.0 uf	22.0 uf
Volts (Min)	330 V	330 V	330 V	330 V

4X4 CORE – HX, CWA & CWI UNITS



Capacitor: CA22330DL

Ignitor: SMH-2

Microfarads: 22.0 uf
 Volts (Max): 330 V
 Case Temp (Max): 100 °C
 Height (Max): 3.68 in
 Dia / Oval Dia (Max): 1.62 in

Case Temp (Max): 105 °C
 BTL Distance (Max): 2 ft

