

BALLAST SPECIFICATIONS

320W M132 / M154

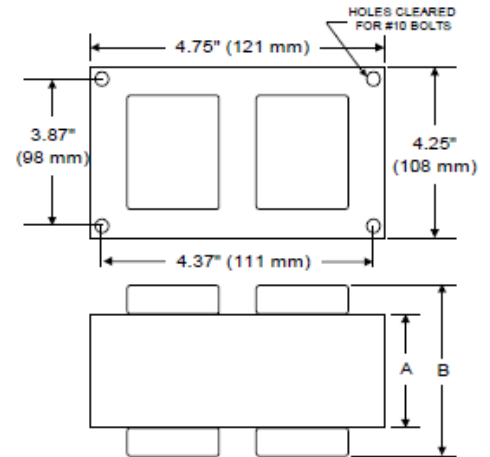
Pulse Start Metal Halide

S320M-48/12

60 Hz CWA

Input Volts	480		
Line Current (Amps)			
Operating	0.80		
Open Circuit	0.40		
Starting	0.60		
Recommended Fuse (Amps)	3		
Regulation			
Line Volts	±10%		
Lamp Watts	±10%		
Temperature Ratings			
Insulation Class	180 (H)		
Coil Temperature Code	D		
Benchtop Coil Rise	85.9		
Power Factor (Min)	90%		
Input Watts	368 W		
Efficiency	87%		
NOM. Open Circuit Voltage	265		
Input Voltage At Lamp Dropout	320		
Min Ambient Starting Temp	-20°F/ -30°C		
60 Hz TEST PROCEDURES			
High Potential Test (Volts)			
1 Minute	2,000 V		
1 Second	2,400 V		
Open Circuit Voltage Test (V)	235 – 295		
Short Circuit Current Test (A)			
Min	3.00		
Secondary Current			
Max	3.60		
Min	0.45		
Input Current			
Max	0.75		
CORE and COIL Specifications			
Dimension (A)	1.90 in		
Dimension (B)	3.75 in		
Weight	10.5 lbs		
Lead Lengths	12"		
Capacitor Requirement			
Microfarads	22.0 uf		
Volts (Min)	330 V		

4X4 CORE – HX, CWA & CWI UNITS



Capacitor: CA2233DL

Ignitor: SMH-2

Microfarads: 22.0 uf
 Volts (Max): 330 V
 Case Temp (Max): 100 °C
 Height (Max): 3.68 in
 Dia (Max): 1.62 in

Case Temp (Max): 105 °C
 BTL Distance (Max): 2 ft

