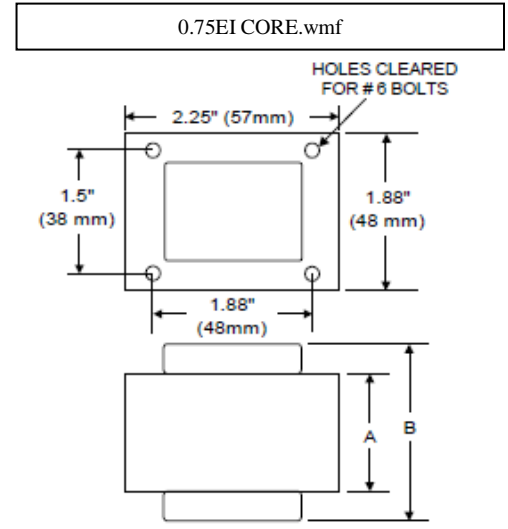


BALLAST SPECIFICATIONS

35W S76
High Pressure Sodium
S35S-12
60 Hz Reactor-NPF

Input Volts	120			
Line Current (Amps)				
Operating	0.85			
Open Circuit				
Starting	0.75			
Recommended Fuse (Amps)	3			
Regulation				
Line Volts	±5%			
Lamp Watts	±12%			
Temperature Ratings				
Insulation Class	180 (H)			
Coil Temperature Code	A			
Benchtop Coil Rise				
Power Factor (Min)	40%			
Input Watts	45 W			
Efficiency				
NOM. Open Circuit Voltage	120			
Input Voltage At Lamp Dropout				
Min Ambient Starting Temp	-40°F / -40°C			
60 Hz TEST PROCEDURES				
High Potential Test (Volts)				
1 Minute	2,000 V			
1 Second	2,500 V			
Open Circuit Voltage Test (V)	110 – 35			
Short Circuit Current Test (A)				
Min	.00			
Secondary Current				
Max	.00			
Min				
Input Current				
Max				
CORE and COIL Specifications				
Dimension (A)	.90 in			
Dimension (B)	2.15 in			
Weight	2.0 lbs			
Lead Lengths	12"			
Capacitor Requirement				
Microfarads				
Volts (Min)				



Capacitor: NONE Ignitor: S55V

Volts (Max): V Case Temp (Max): 105 °C
 BTL Distance (Max): 12 ft

This Ballast Does Not Require A Capacitor

