

BALLAST SPECIFICATIONS

400W M135 / M155

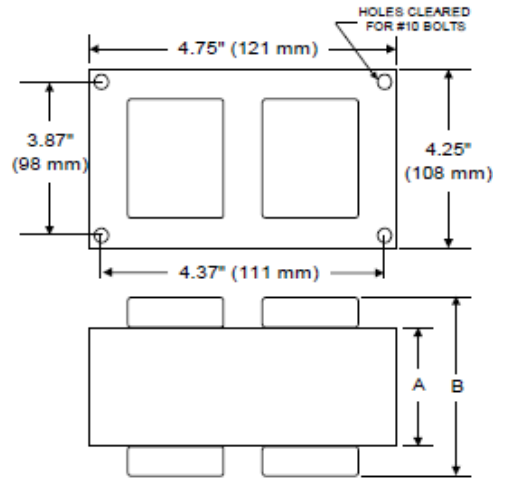
Pulse Start Metal Halide

S400M-48/12/PS

60 Hz CWA

Input Volts	480		
Line Current (Amps)			
Operating	1.00		
Open Circuit	0.50		
Starting	0.90		
Recommended Fuse (Amps)	3		
Regulation			
Line Volts	±10%		
Lamp Watts	±9%		
Temperature Ratings			
Insulation Class	180 (H)		
Coil Temperature Code	D		
Benchtop Coil Rise	88.9		
Power Factor (Min)	90%		
Input Watts	452 W		
Efficiency	89%		
NOM. Open Circuit Voltage	280		
Input Voltage At Lamp Dropout	240		
Min Ambient Starting Temp	-20°F/ -30°C		
60 Hz TEST PROCEDURES			
High Potential Test (Volts)			
1 Minute	2,000 V		
1 Second	2,500 V		
Open Circuit Voltage Test (V)	250 – 310		
Short Circuit Current Test (A)			
Min	3.55		
Secondary Current			
Max	4.35		
Min	0.60		
Input Current			
Max	0.90		
CORE and COIL Specifications			
Dimension (A)	2.20 in		
Dimension (B)	4.10 in		
Weight	12.0 lbs		
Lead Lengths	12'		
Capacitor Requirement			
Microfarads	26.0 uf		
Volts (Min)	330 V		

4X4 CORE – HX, CWA & CWI UNITS

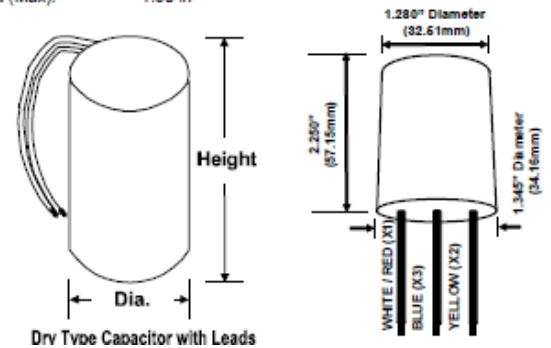


Capacitor: CA26400DL

Ignitor: SMH-2

Microfarads: 26.0 uf
Volts (Max): 400 V
Case Temp (Max): 100 °C
Height (Max): 4.72 in
Dia (Max): 1.80 in

Case Temp (Max): 105 °C
BTL Distance (Max): 2 ft



Dry Type Capacitor with Leads

