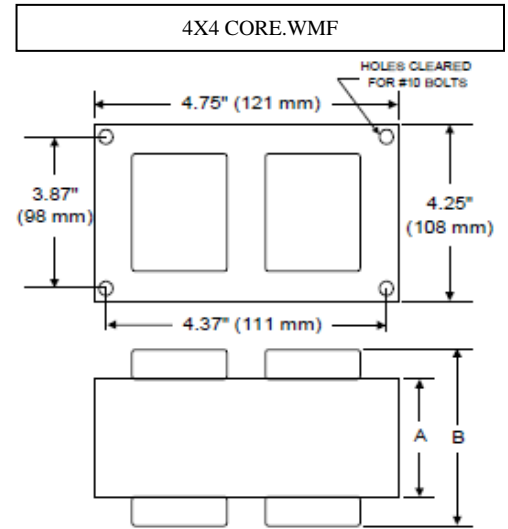




**BALLAST SPECIFICATIONS**

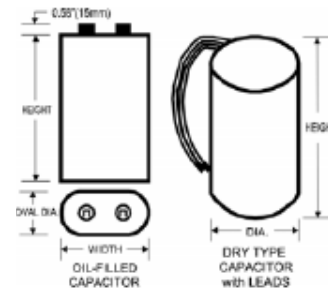
**400W M59  
Metal Halide  
S400M-48/12  
60 Hz CWA**

Input Volts	480			
Line Current ( Amps )				
Operating	1.00			
Open Circuit	0.90			
Starting	0.70			
Recommended Fuse (Amps)	3			
Regulation				
Line Volts	±10%			
Lamp Watts	±10%			
Temperature Ratings				
Insulation Class	180 (H)			
Coil Temperature Code	E			
Benchtop Coil Rise	90.1			
Power Factor (Min)	90%			
Input Watts	457W			
Efficiency				
NOM. Open Circuit Voltage	300			
Input Voltage At Lamp Dropout	220			
Min Ambient Starting Temp	-40°F/ -40°C			
60 Hz TEST PROCEDURES				
High Potential Test (Volts)				
1 Minute	2,000 V			
1 Second	2,400 V			
Open Circuit Voltage Test (V)	270-330			
Short Circuit Current Test (A)				
Min	3.40			
Secondary Current				
Max	4.20			
Min	0.45			
Input Current				
Max	0.70			
CORE and COIL Specifications				
Dimension (A)	2.15 in			
Dimension (B)	4.10 in			
Weight	11.5 lbs			
Lead Lengths				
Capacitor Requirement				
Microfarads	24.0 uf			
Volts (Min)	360 V			



Capacitor:	CA24400 / CA24400DL	Ignitor:	None
------------	---------------------	----------	------

Microfarads:	24.0 uf	24.0 uf
Volts (Max):	400 V	400 V
Case Temp (Max)	100 °C	100 °C
Height (Max):	3.19 in	4.68 in
Dia (Max):	1.97 in	1.82 in
Oval Width (Max):	2.97 in	



**This Ballast  
Does Not  
Require  
An Ignitor**

