



BALLAST SPECIFICATIONS

400W S51

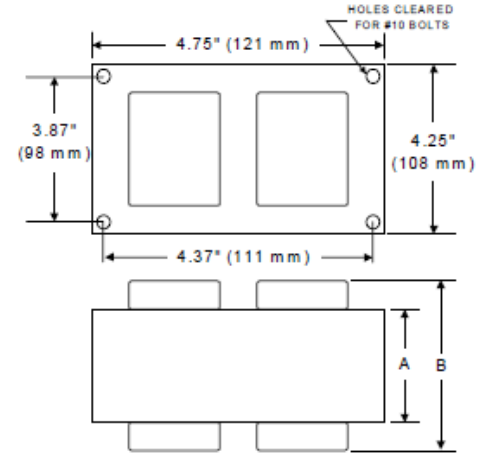
High Pressure Sodium

S400S-4

60 Hz CWA

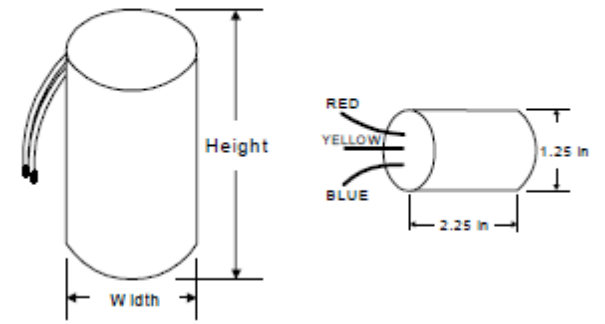
Input Volts	120	208	240	277
Line Current (Amps)				
Operating	3.80	2.20	1.90	1.70
Open Circuit	1.50	0.85	0.75	0.65
Starting	3.70	2.15	1.85	1.60
Regulation				
Line Volts	±10%	±10%	±10%	±10%
Lamp Watts	±13%	±13%	±13%	±13%
UL Temperature Ratings				
Insulation Class	H	H	H	H
Coil Temperature Code	C	C	C	C
Benchtop Coil Rise	83.8	84.2	85.9	82.3
Input Watts	460 W	460 W	460 W	460 W
NOM. Open Circuit Voltage	195	195	195	195
Power Factor	90%	90%	90%	90%
Current Crest Factor	1.60	1.60	1.60	1.60
Input Voltage At Lamp Dropout	90	155	180	205
MIN. Ambient Starting Temp.	-40°F / -40°C	-40°F / -40°C	-40°F / -40°C	-40°F / -40°C
60 Hz TEST PROCEDURES				
High Potential Test (Volts)				
1 Minute	1,600 V	1,600 V	1,600 V	1,600 V
1 Second	2,000 V	2,000 V	2,000 V	2,000 V
Open Circuit Voltage Test (V)	175 - 215	175 - 215	175 - 215	175 - 215
Short Circuit Current Test (A)				
Min	6.25	6.25	6.25	6.25
Secondary Current				
Max	7.65	7.65	7.65	7.65
Min	3.00	1.70	1.50	1.30
Input Current				
Max	4.50	2.60	2.25	1.95
Recommended Fuse (Amps)	10	7	6	5
CORE and COIL Specifications				
Dimension (A)	2.30 in	2.30 in	2.30 in	2.30 in
Dimension (B)	4.20 in	4.20 in	4.20 in	4.20 in
Weight	14.0 lbs	14.0 lbs	14.0 lbs	14.0 lbs
Lead Lengths	12"	12"	12"	12"
Capacitor Requirement				
Microfarads	55.0 uf	55.0 uf	55.0 uf	55.0 uf
Volts (Min)	240 V	240 V	240 V	240 V

4X4 CORE – HX, CWA & CWI Units



Capacitor:	CA55240DL	Ignitor:	S100V
------------	-----------	----------	-------

Temp Rating:	100 °C	Temp:	105 °C
Height:	4.87 in	BTL:	2 ft
Dia/Oval Dim	1.75 in		



Plastic Dry Film Capacitor

