



BALLAST SPECIFICATIONS

400W S51

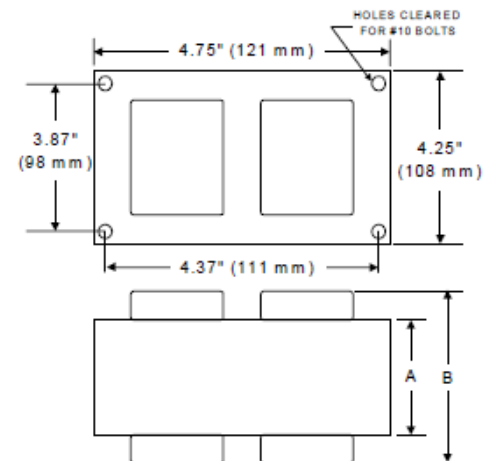
High Pressure Sodium

S400S-48/12

60 Hz CWA

Input Volts	480			
Line Current (Amps)				
Operating	1.00			
Open Circuit	0.40			
Starting	0.80			
Regulation				
Line Volts	±10%			
Lamp Watts	±13%			
UL Temperature Ratings				
Insulation Class	H			
Coil Temperature Code	C			
Benchtop Coil Rise	81.9			
Input Watts	464 W			
NOM. Open Circuit Voltage	195			
Power Factor	90%			
Current Crest Factor	1.63			
Input Voltage At Lamp Dropout	370			
MIN. Ambient Starting Temp.	-40°F / -40°C			
60 Hz TEST PROCEDURES				
High Potential Test (Volts)				
1 Minute	2,000 V			
1 Second	2,400 V			
Open Circuit Voltage Test (V)	175 – 215			
Short Circuit Current Test (A)				
Min	6.35			
Secondary Current				
Max	7.75			
Min	0.55			
Input Current				
Max	0.90			
Recommended Fuse (Amps)	3			
CORE and COIL Specifications				
Dimension (A)	2.60 in			
Dimension (B)	4.45 in			
Weight	15.0 lbs			
Lead Lengths	12"			
Capacitor Requirement				
Microfarads	55.0 uf			
Volts (Min)	240 V			

4X4 CORE – HX, CWA & CWI Units

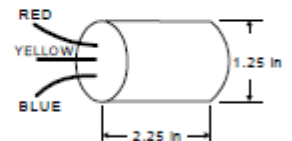
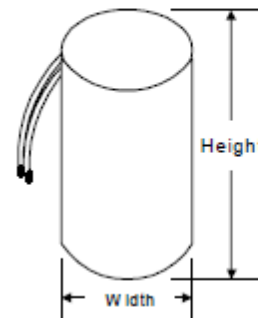


Capacitor: CA55240DL

Ignitor: S100V

Temp Rating: 100 °C
Height: 4.87 in
Dia/Oval Dim 1.75 in

Temp: 105 °C
BTL: 15 ft



Plastic Dry Film Capacitor

