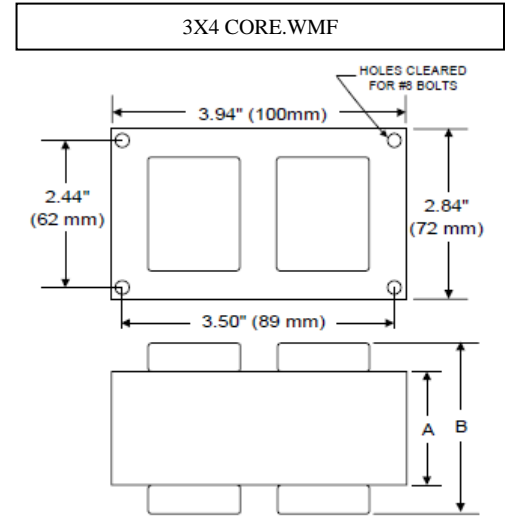


**BALLAST SPECIFICATIONS**

**50W M110**  
**Pulse Start Metal Halide**  
**S50M-4**  
**60 Hz HX-HPF**

Input Volts	120	208	240	277
Line Current ( Amps )				
Operating	0.60	0.35	0.30	0.25
Open Circuit	1.20	0.65	0.60	0.50
Starting	0.60	0.35	0.30	0.25
Recommended Fuse (Amps)	3	2	2	2
Regulation				
Line Volts	±5%	±5%	±5%	±5%
Lamp Watts	±10%	±10%	±10%	±10%
Temperature Ratings				
Insulation Class	180 (H)	180 (H)	180 (H)	180 (H)
Coil Temperature Code	A	A	A	A
Benchtop Coil Rise	66.6	64.7	64.3	70.7
Power Factor (Min)	90%	90%	90%	90%
Input Watts	68 W	68 W	68 W	68 W
Efficiency				
NOM. Open Circuit Voltage	265	265	265	265
Input Voltage At Lamp Dropout	85	150	170	195
Min Ambient Starting Temp	-20°F/ -30°C	-20°F/ -30°C	-20°F/ -30°C	-20°F/ -30°C
60 Hz TEST PROCEDURES				
High Potential Test (Volts)				
1 Minute	2,000 V	2,000 V	2,000 V	2,000 V
1 Second	2,500 V	2,500 V	2,500 V	2,500 V
Open Circuit Voltage Test (V)	235 – 295	235 – 295	235 – 295	235 – 295
Short Circuit Current Test (A)				
Min	0.65	0.65	0.65	0.65
Secondary Current				
Min	0.85	0.85	0.85	0.85
Max	0.40	0.20	0.15	0.15
Input Current				
Max	0.75	0.40	0.35	0.35
CORE and COIL Specifications				
Dimension (A)	1.05 in	1.05 in	1.05 in	1.05 in
Dimension (B)	2.45 in	2.45 in	2.45 in	2.45 in
Weight	3.5 lbs	3.5 lbs	3.5 lbs	3.5 lbs
Lead Lengths	12"	12"	12"	12"
Capacitor Requirement				
Microfarads	6.0 uf	6.0 uf	6.0 uf	6.0 uf
Volts (Min)	280 V	280 V	280 V	280 V



Capacitor:	CA6280DL	Ignitor:	SMH-2
------------	----------	----------	-------

Microfarads:	6.0 uf	Case Temp (Max):	105 °C
Volts (Max):	330 V	BTL Distance (Max):	2 ft
Case Temp (Max):	100 °C		
Height (Max):	2.76 in		
Dia (Max):	1.22 in		

