



BALLAST SPECIFICATIONS

575W

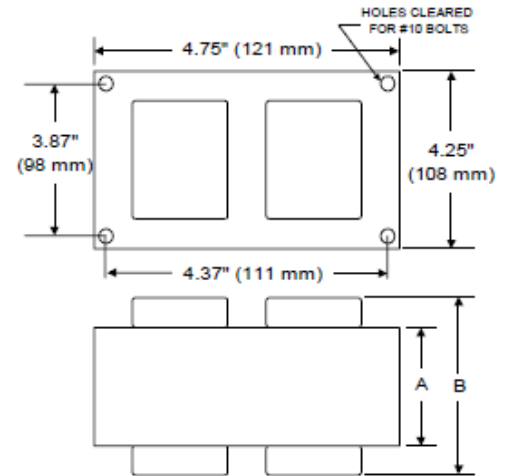
Pulse Start Metal Halide

S575M-4/PS

60 Hz HX – HPF

Input Volts	120	208	240	277
Line Current (Amps)				
Operating	5.70	3.05	2.95	2.50
Open Circuit	8.75	4.70	4.45	3.80
Starting	7.80	4.20	4.05	3.20
Regulation				
Line Volts	±5%	±5%	±5%	±5%
Lamp Watts	±10%	±10%	±10%	±10%
UL Temperature Ratings				
Insulation Class	H	H	H	H
Coil Temperature Code	B	B	B	B
Benchtop Coil Rise	79.3	73.9	81.6	81.3
Input Watts	635 W	635 W	635 W	635 W
NOM. Open Circuit Voltage	300	300	300	300
Power Factor	90%	90%	90%	90%
Current Crest Factor	1.50	1.50	1.50	1.50
Input Voltage At Lamp Dropout	90	160	180	210
MIN. Ambient Starting Temp.	-40°F/ -40°C	-40°F/ -40°C	-40°F/ -40°C	-40°F/ -40°C
60 Hz TEST PROCEDURES				
High Potential Test (Volts)				
1 Minute	2,000 V	2,000 V	2,000 V	2,000 V
1 Second	2,500 V	2,500 V	2,500 V	2,500 V
Open Circuit Voltage Test (V)	270 – 330	270 – 330	270 – 330	270 – 330
Short Circuit Current Test (A)				
Min	5.65	5.65	5.65	5.65
Secondary Current				
Max	6.95	6.95	6.95	6.95
Min	6.05	3.10	3.15	2.65
Input Current				
Max	9.15	4.70	4.75	4.05
Recommended Fuse (Amps)	15	8	8	7
CORE and COIL Specifications				
Dimension (A)	3.25 in	3.25 in	3.25 in	3.25 in
Dimension (B)	4.90 in	4.90 in	4.90 in	4.90 in
Weight	18.0 lbs	18.0 lbs	18.0 lbs	18.0 lbs
Lead Lengths	12"	12"	12"	12"
Capacitor Requirement				
Microfarads	38.0 uf	38.0 uf	38.0 uf	38.0 uf
Volts (Min)	330 V	330 V	330 V	330 V

4X4 CORE – HX, CWA & CWI UNITS



Capacitor: CA38330DL

Ignitor: BVS-045

Value: 38.0 uf
Temp Rating: 100 °C
Height: 4.62 in
Dia/Oval Dim: 1.77 in

Temp: 105 °C
BTL: 2 ft

