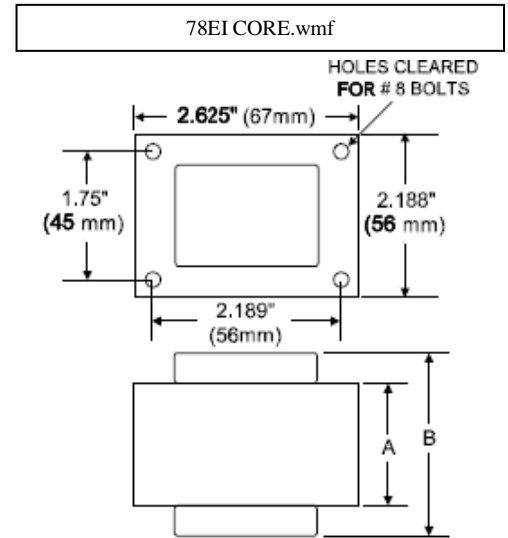




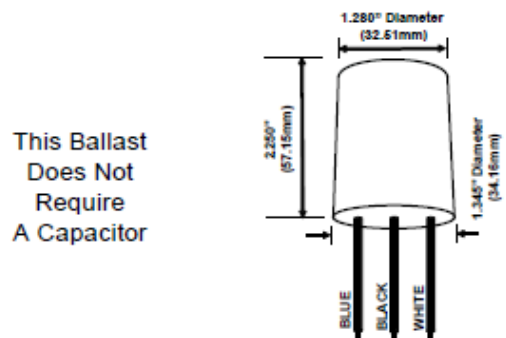
BALLAST SPECIFICATIONS

70W S62
High Pressure Sodium
S70S-12
60 Hz Reactor-NPF

Input Volts	120			
Line Current (Amps)				
Operating	1.70			
Open Circuit				
Starting	1.25			
Recommended Fuse (Amps)	5			
Regulation				
Line Volts	±5%			
Lamp Watts	±9%			
Temperature Ratings				
Insulation Class	180 (H)			
Coil Temperature Code	B			
Benchtop Coil Rise				
Power Factor (Min)	40%			
Input Watts	85 W			
Efficiency				
NOM. Open Circuit Voltage	120			
Input Voltage At Lamp Dropout				
Min Ambient Starting Temp	-40°F / -40°C			
60 Hz TEST PROCEDURES				
High Potential Test (Volts)				
1 Minute	2,000 V			
1 Second	2,500 V			
Open Circuit Voltage Test (V)	110 – 135			
Short Circuit Current Test (A)				
Min	.00			
Secondary Current				
Max	.00			
Min				
Input Current				
Max				
CORE and COIL Specifications				
Dimension (A)	1.29 in			
Dimension (B)	2.55 in			
Weight	3.0 lbs			
Lead Lengths	12"			
Capacitor Requirement				
Microfarads				
Volts (Min)				



Capacitor: NONE Ignitor: S55V
 Case Temp (Max): 105 °C
 Volts (Max): V BTL Distance (Max) 12 ft



This Ballast Does Not Require A Capacitor

